

# FILLER CAPS



The series TK range of filler caps is composed of styles with breather filter, dipstick for measuring the reservoir fluid level and anti-splash fins to prevent spillage of oil from the reservoir on mobile equipment.

#### **Temperature**

- from -25 °C to +100 °C

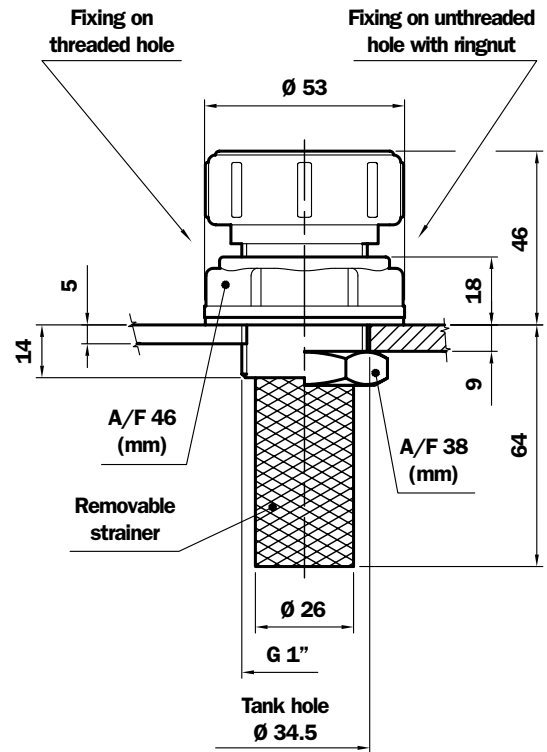
#### **Compatibility**

- Mineral oils to ISO 2943 - aqueous emulsions  
Synthetic fluids, glycol water.

**TC50G1.....P01**  
Threaded reservoir



## Dimensions



**TC50GA.....P01**  
Unthreaded hole in reservoir



**TC50 ((Materials))**

- 1 - Cover: Nylon
- 2 - Filter element: Galvanised Steel
- 3 - Filler cap: Nylon
- 4 - Strainer: Galvanised Steel/Nylon  
AISI 304 Nylon
- 5 - Collar: Nylon
- 6 - Seal: Inorganic fibre
- 7 - Ringnut: Phosphated Steel

**Weight**

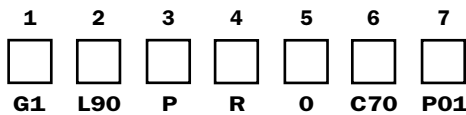
TC 50 G1: 0,070 Kg  
TC 50 GA: 0,100 Kg

## Ordering information

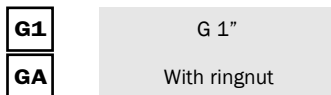
**Filler cap**

**TC50**

Example: TC50



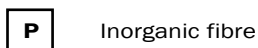
**1 - Connection**



**2 - Filter element**



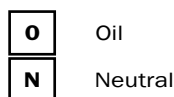
**3 - Seal**



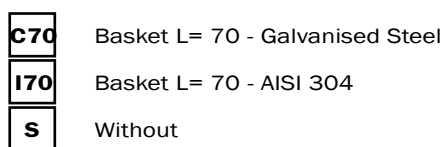
**4 - Cover colour**



**5 - Cover wording**



**6 - Basket**



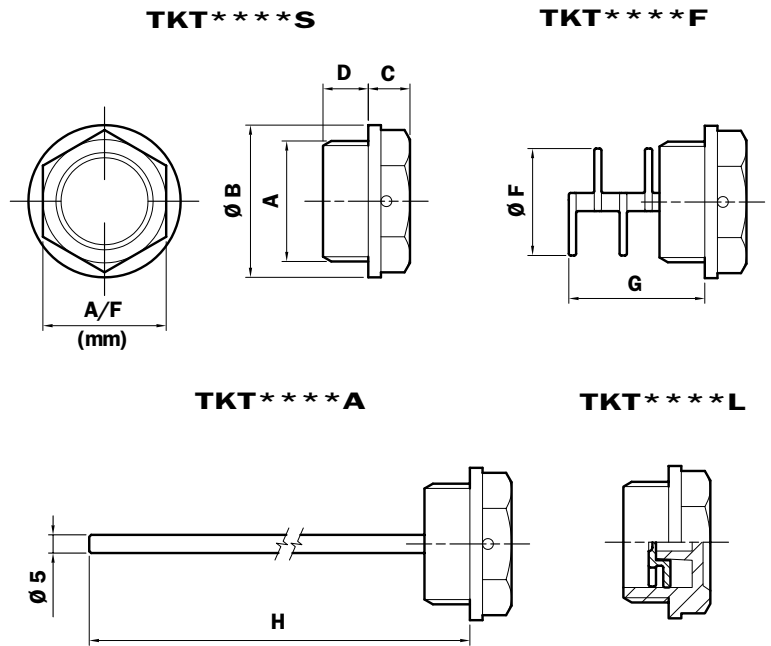
**7 - Options**



# Series TKT

Nylon filler caps

## Dimensions



### TKT (Materials)

- 1 - Body: Nylon
- 2 - Seals: NBR  
Inorganic fibre
- 3 - Labyrinth: Nylon
- 4 - Anti-splash feature: Nylon
- 5 - Dipstick: Phosphated Steel

### Quantity per pack Number of Parts

TKT 25

Size	A	Ø B	C	A/F (mm)	D	Ø F	G	H
G13	G 1/4"	20	7	17	9	-	-	206
G16	G 3/8"	22	8	18	10	13,5	33	207
G20	G 1/2"	28	8	22	11	17,5	34	208
G26	G 3/4"	35	9	27	12	23,5	35	209
G33	G 1"	42	11,5	34	12,5	29,5	37,5	202,5
G42	G 1 1/4"	52	12	42	13	38	40	203
G48	G 1 1/2"	58	14	47	13	38	38	203
G60	G 2"	74	14	64	20	-	-	200

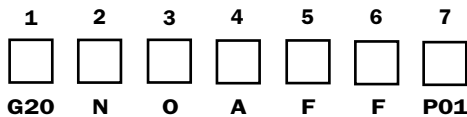
N.B. Seals thickness 2 mm.  
Recommended tightening torque 10 ÷ 15 Nm.

## Ordering information

### Filler cap

TKT

Example: TKT



### 1 - Size

G13	G 1/4"
G16	G 3/8"
G20	G 1/2"
G26	G 3/4"
G33	G 1"
G42	G 1 1/4"
G48	G 1 1/2"
G60	G 2"

### 2 - Colour

N	Black nylon
---	-------------

### 3 - Cover wording

N	Neutral
O	Oil

### 4 - Seal

A	NBR x TKT****F and TKT****A
B	Fibre inorganique x TKT****S and TKT****L

### 5 - Style

S	Without breather
F	Breather hole

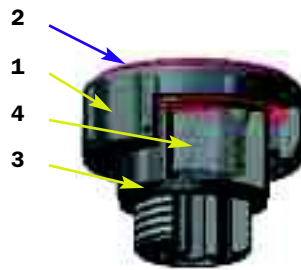
### 6 - Accessories

S	Without
A	Standard dipstick
F	Anti-splash feature (except G13-G60)
L	Labyrinth filter (except G33-G42-G48-G60)

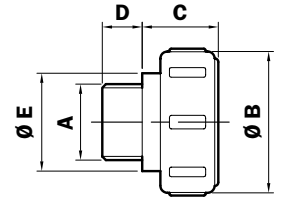
### 7 - Options

P01	MP Filtri standard
-----	--------------------

## Dimensions

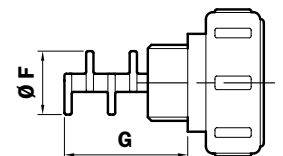
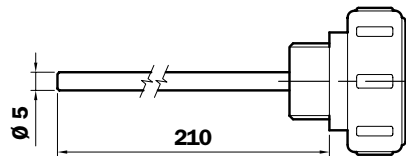


TSD\*\*\*\*S



TSD\*\*\*\*A

TSD\*\*\*\*F



**TSD (Materials)**

- 1 - Body: Nylon
- 2 - Cover: Nylon
- 3 - Seal: NBR
- 4 - Filter: Galvanised steel
- 5 - Anti-splash feature: Nylon
- 6 - Dipstick: Phosphated Steel

**Quantity per pack  
Number of Parts**

**TSD** 25

Size	A	Ø B	C	D	Ø E	Ø F	G
<b>G16</b>	G 3/8"	35	21	10	23	13,5	36
<b>G20</b>	G 1/2"	39	21	11	27	17,5	36
<b>G26</b>	G 3/4"	45	21	12	33	23,5	37
<b>G33</b>	G 1"	51	24,5	13	39	29,5	44
<b>G42</b>	G 1 1/4"	66	29,5	14	54	38	47
<b>G48</b>	G 1 1/2"	66	29,5	14	54	38	47

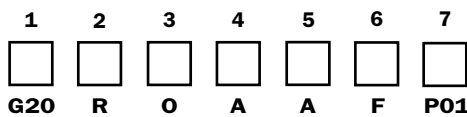
**N.B.** Seals thickness 2 mm.  
Recommended tightening torque 10=15 Nm.

## Ordering information

**Filler cap**

**TSD**

Example: TSD



**1 - Size**

<b>G16</b>	G 3/8"
<b>G20</b>	G 1/2"
<b>G26</b>	G 3/4"
<b>G33</b>	G 1"
<b>G42</b>	G 1 1/4"
<b>G48</b>	G 1 1/2"

**2 - Cover colour**

<b>R</b>	Red
<b>Y</b>	Yellow

**3 - Cover wording**

<b>N</b>	Neutral
<b>O</b>	Oil
<b>G</b>	Gasoil

**4 - Seal**

<b>A</b>	NBR
----------	-----

**5 - Filter element**

<b>A</b>	Steel (excepté "Gasoil")
<b>O</b>	Without

**6 - Accessories**

<b>S</b>	Without
<b>A</b>	Standard dipstick
<b>F</b>	Anti-splash feature

**7 - Options**

<b>P01</b>	MP Filtri standard
------------	--------------------