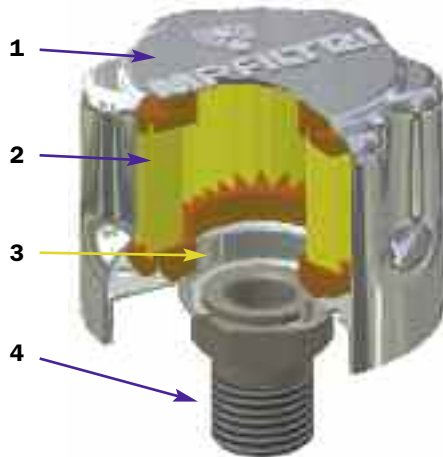


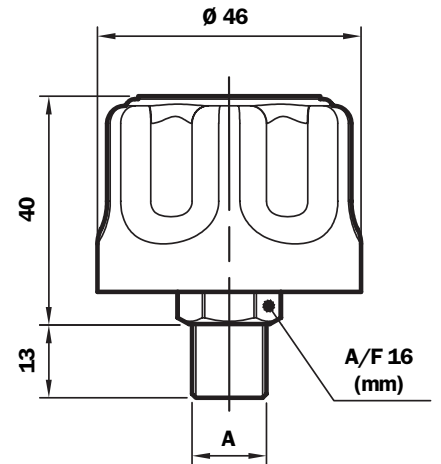
Dimensions

TA46G-N...P01

With filter



Threaded connection



TA46 G - N (Materials)

- 1 - Cover: Chrome plated steel
- 2 - Filter element: Impregnated paper
Polyurethane
- 3 - Flange: Galvanised Steel
- 4 - Threaded connection: Phosphated Steel

Flow rate with $\Delta p: 0,02$ bar

Filtration	l_N/min
3 μm	150
10 μm	200

Weight

TA 46: 0,110 kg

Connection	A
G	G 1/4"
N	1/4" NPT

Ordering information

Breather filter

	1	2	3
TA46	<input type="checkbox"/>	<input type="checkbox"/>	<input type="checkbox"/>
Example: TA46	G	03	P01

1 - Connection to reservoir

G	G 1/4"
N	1/4" NPT

3 - Options

P01	MP Filtri standard
------------	--------------------

2 - Filter element

03	3 μm - Impregnated paper
10	10 μm - Polyurethane

TA80.....P01

With filter



TA80.03.9P01

With anti-splash feature



TA80....1P01

With filter and pressurisation valve



Ordering information

Breather filter

TA80

Example: TA80

1	2	3	4	5
<input type="checkbox"/>	<input type="checkbox"/>	<input type="checkbox"/>	<input type="checkbox"/>	<input type="checkbox"/>
G	03	A	1	P01

1 - Connection to reservoir

<input type="checkbox"/>	G 3/4"
<input type="checkbox"/>	3/4" NPT

2 - Filter element

<input type="checkbox"/>	3 µm - Impregnated paper
<input type="checkbox"/>	10 µm - Polyurethane

3 - Seal

<input type="checkbox"/>	Without
<input type="checkbox"/>	NBR (pressurised only)

4 - Valves

<input type="checkbox"/>	Without
<input type="checkbox"/>	0,3 bar pressurisation valve
<input type="checkbox"/>	0,7 bar pressurisation valve
<input type="checkbox"/>	Anti-splash feature (only with filter element 3 µm)

5 - Options

<input type="checkbox"/>	MP Filtri standard
--------------------------	--------------------

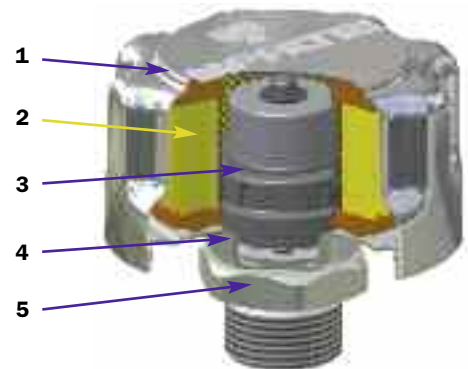
Flow rate with Δp : 0,02 bar

Filtration	I_N /min
3 µm	450
10 µm	550

Weight

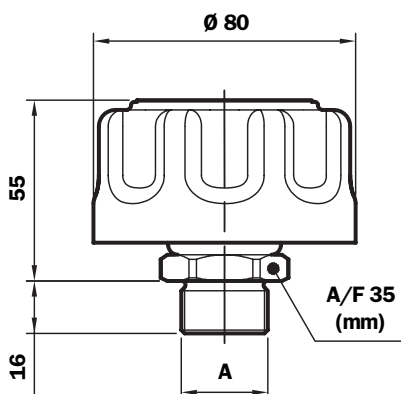
TA 80: 0,350 Kg

TA80



Dimensions

Threaded connection



Connection	A
G	G 3/4"
N	3/4" NPT

TA80 G (Materials)

- 1 - Cover: Chrome Plated Steel
- 2 - Filter element: Impregnated paper
Polyurethane
- 3 - Pressurisation valve: Nylon
Galvanised Steel
NBR
- 4 - Flange: Galvanised Steel
- 5 - Threaded connection: Galvanised Steel
- 6 - Anti-slosh feature: Galvanised Steel

Ordering information

Breather filter	1	2	3	4	5	6
TAP90	<input type="checkbox"/>	<input type="checkbox"/>	<input type="checkbox"/>	<input type="checkbox"/>	<input type="checkbox"/>	<input type="checkbox"/>
Exemple: TAP90	G	03	0	1	L	P01

1 - Connection to reservoir

G	M52x2
H	G 1 1/2"
L	G 1 1/4"
M	3/4" NPT
N	1" NPT
Q	G 3/4"

2 - Filter element

03	3 µm - Impregnated paper
10	10 µm - Polyurethane

3 - Seal

0	Without
A	NBR (pressurised)

4 - Pressurisation valve

0	Without
1	0,3 bar pressurisation valve
2	0,7 bar pressurisation valve

5 - Variants

0	Standard
A	With Dipstick
L	With Padlock tab
F	With Dipstick and Padlock tab

6 - Options

P01	MP Filtri standard
------------	--------------------



TAP90 (Materials)

- 1 - Cover/ringnut:** Nylon
- 2 - Breather filter:** Impregnated paper
Polyurethane
- 3 - Seal:** NBR

Flow rate with Δp: 0,02 bar

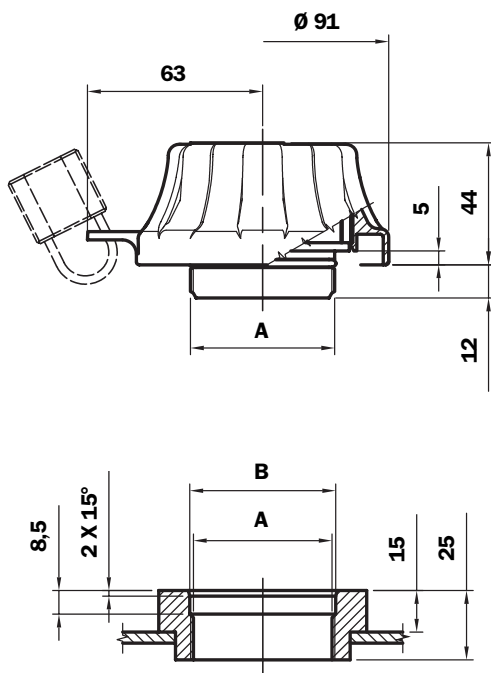
Filtration	I _N /min
3 µm	450
10 µm	550

Weight

TAP 90: 0,130 Kg

Dimensions

TAP 90 for connection on weld flange



	A	B
G	M52x2	Ø 52,5
H	G 1 1/2"	Ø 48,5
L	G 1 1/4"	Ø 42
M	3/4" NPT	-
N	1" NPT	-
Q	G 3/4"	-

TAP G
With Pressurisation



TAP G
With Dipstick

