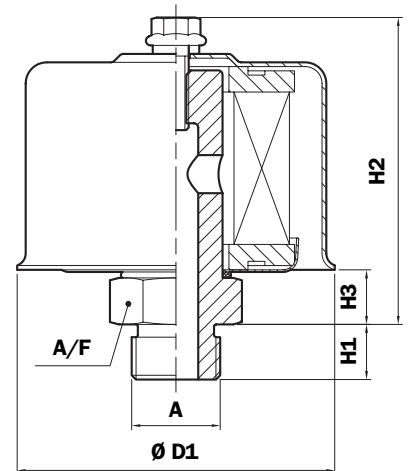


### Dimensions



#### SA (Materials)

- 1 - Screw: Galvanised Steel
- 2 - Washer: Teflon
- 3 - Cover: Steel
- 4 - Filter element: Impregnated paper
- 5 - Ring: Galvanised Steel
- 6 - Seal: NBR
- 7 - Connection: Anodised Aluminium  
Galvanised Steel

#### Dimension

Type	D1	H1	H2	H3	A/F (mm)
036	36	13	36,5	9	22
053	53	13	52,5	7	22
075 G1		13			27
075 G2	75	17	68,5	11,5	32
075 G4		15			27
075 G5		20			32
115	115	17	80	11	38
145	145	25	115	13	55
185	185	25	164	23	80

#### Flow rate with $\Delta p$ : 0,02 bar

#### Weight

- SA 036: 0,080 Kg
- SA 053: 0,150 Kg
- SA 075: 0,260 Kg
- SA 115: 0,400 Kg
- SA 145: 0,590 Kg
- SA 185: 1,220 Kg

Type	Flow rate $l_N/min$	
	3 $\mu m$	10 $\mu m$
036	140	140
053	250	250
075	350	400
115	800	850
145	1800	1850
185	2300	2500

#### Connection to reservoir "A"

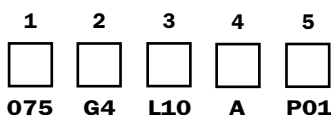
Type	G1	G2	G3	G4	G5	G6
036	G 1/4"	G 3/8"	G 1/2"	1/4" NPT	3/8" NPT	1/2" NPT
053	G 1/4"	G 3/8"	-	1/4" NPT	3/8" NPT	-
075	G 1/2"	G 3/4"	-	1/2" NPT	3/4" NPT	-
115	G 1"	-	-	1" NPT	-	-
145	G 1 1/2"	-	-	1 1/2" NPT	-	-
185	G 2 1/2"	-	-	2 1/2" NPT	-	-

## Ordering information

#### Breather filter

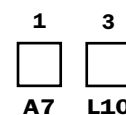
SA

Example: SA



#### Filter element

Example:



#### 1 - Size

Filter	Filter element
036	A05
053	A5
075	A7
115	A8
145	A10
185	A11

#### 2 - Connection to reservoir

Type	G1	G2	G3	G4	G5	G6
036	G 1/4"	G 3/8"	G 1/2"	1/4" NPT	3/8" NPT	1/2" NPT
053	G 1/4"	G 3/8"	-	1/4" NPT	3/8" NPT	-
075	G 1/2"	G 3/4"	-	1/2" NPT	3/4" NPT	-
115	G 1"	-	-	1" NPT	-	-
145	G 1 1/2"	-	-	1 1/2" NPT	-	-
185	G 2 1/2"	-	-	2 1/2" NPT	-	-

#### 3 - Filter element

L03	3 $\mu m$ - Impregnated paper
L10	10 $\mu m$ - Impregnated paper
S	Without

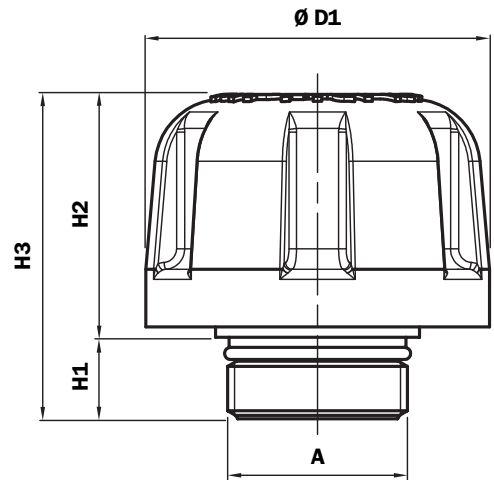
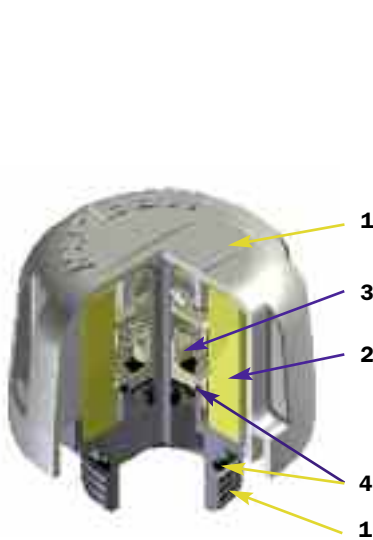
#### 4 - Seal

A	NBR
---	-----

#### 5 - Options

P01	MP Filtri standard
-----	--------------------

## Dimensions



### SAP050 (Materials)

- 1 - Cover/Connection: Nylon
- 2 - Filter element: Impregnated paper  
Polyurethane
- 3 - Pressurisation: Nylon  
Galvanised steel  
NBR
- 4 - Seal: NBR

Flow rate with  $\Delta p$ : 0,02 bar

Filtration  $I_N$ /min  
10  $\mu m$  204

### Weights

SAP 050: 0,040 kg

### Connection to reservoir "A"

Type SAP 50				
G1	G2	G3	G4	G5
G 1/4"	G 3/8"	G 1/2"	G 3/4"	1/4" NPT
G6	G7	G8	G9	G10
3/8" NPT	1/2" NPT	3/4" NPT	SAE 6	SAE 12

### Quantity per pack Number of Parts

SAP50	10
-------	----

### Dimensions

Type SAP	D1	H1	H2	H3
50 G1				
50 G2				
50 G3				
50 G4	50,5	12	36	48
50 G5				
50 G6				
50 G7				
50 G8				
50 G9	50,5	14,5	35	50
50 G10				

## Ordering information

Breather filter  
SAP  1  2  3  4  5  
Example: SAP50 G4 L10 A 0 P01

### 1 - Connection to reservoir

G1	G 1/4"
G2	G 3/8"
G3	G 1/2"
G4	G 3/4"
G5	1/4" NPT
G6	3/8" NPT
G7	1/2" NPT
G8	3/4" NPT
G9	SAE 6
G10	SAE 12

### 2 - Filter element

L03	3 $\mu m$ - Impregnated paper
L10	10 $\mu m$ - Polyurethane

### 3 - Seal

A	NBR
---	-----

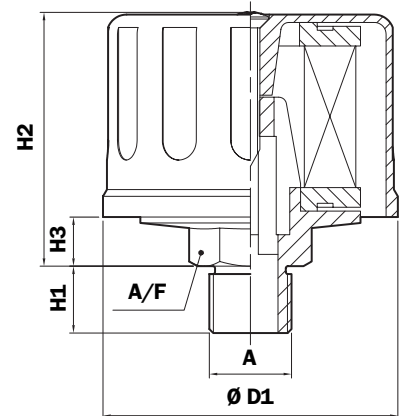
### 4 - Pressurisation valve

0	Without
1	Pressurisation valve 0,5 bar Only for connection: G2 - G3 - G4 - G6 G7 - G8 - G10

### 5 - Options

P01	MP Filtri standard
-----	--------------------

## Dimensions



### SAP 054 - 075 (Materials)

- 1 - Cover: Nylon
- 2 - Connection: Nylon
- 3 - Filter element: Impregnated paper

### Weights

SAP 054: 0,060 Kg  
SAP 075: 0,150 Kg

### Flow rate with $\Delta p$ : 0,02 bar

Filtration	$I_N$ /min
<b>SAP 054</b>	
3 $\mu$ m	200
10 $\mu$ m	250
<b>SAP 075</b>	
3 $\mu$ m	350
10 $\mu$ m	400

### Connection to reservoir " A "

Type SAP	G1	G2	G3	G4	G5
<b>054</b>	G 3/8"	G 1/2"	-	1/2" NPT	-
<b>075</b>	G 1/2"	G 3/4"	-	1/2" NPT	3/4" NPT

### Dimensions

Type SAP	D1	H1	H2	H3	A/F (mm)
<b>054 G1</b>	54	13,5	51	8	22
<b>054 G2</b>					27
<b>054 G4</b>					
<b>075 G1</b>	75	17	64	9	32
<b>075 G2</b>					27
<b>075 G4</b>					
<b>075 G5</b>					

## Ordering information

### Breather filter

#### SAP

Example: SAP

1	2	3	4	5
<input type="checkbox"/>	<input type="checkbox"/>	<input type="checkbox"/>	<input type="checkbox"/>	<input type="checkbox"/>
<b>075</b>	<b>G4</b>	<b>L10</b>	<b>A</b>	<b>P01</b>

### Filter element

Example:

1	3
<input type="checkbox"/>	<input type="checkbox"/>
<b>A7</b>	<b>L10</b>

### 1 - Size

#### Filter

<b>054</b>
<b>075</b>

#### Filter element

<b>A4</b>
<b>A7</b>

### 2 - Connection to reservoir

	SAP 054	SAP 075
<b>G1</b>	G 3/8"	G 1/2"
<b>G2</b>	G1/2"	G 3/4"
<b>G3</b>	-	-
<b>G4</b>	1/2" NPT	1/2" NPT
<b>G5</b>	-	3/4" NPT

### 3 - Filter element

<b>L03</b>	3 $\mu$ m - Impregnated paper
<b>L10</b>	10 $\mu$ m - Impregnated paper

### 4 - Seal

<b>A</b>	NBR
----------	-----

### 5 - Options

<b>P01</b>	MP Filtri standard
------------	--------------------

# Series SAP 115

Nylon air breather filter

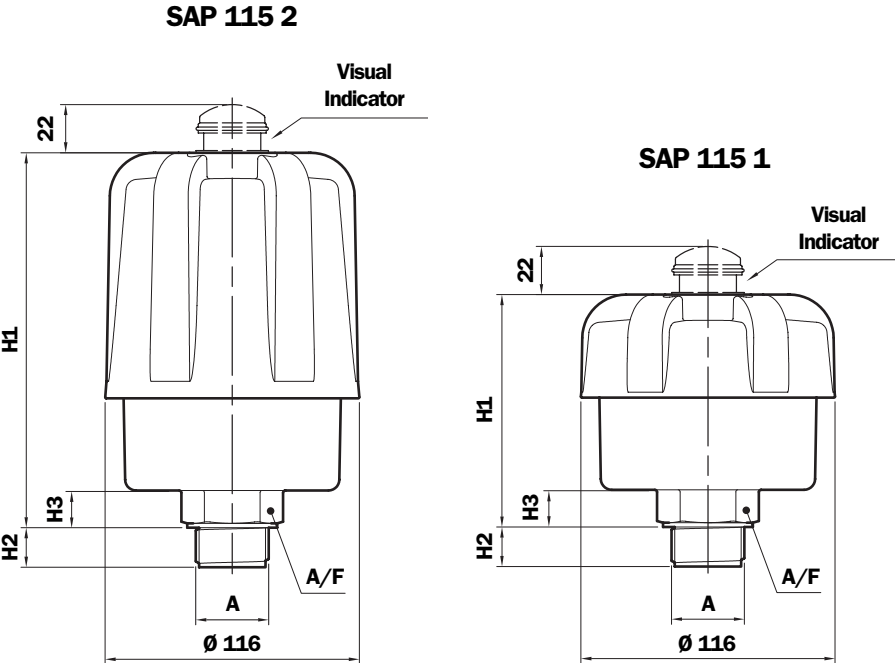


**Clogging indicator**  
**Set pressure: - 0.062 bar ± 10%**  
**Manual reset**

- SAP115 (Materials)**
- 1 - Cover: Nylon
  - 2 - Filter element: Microfibre  
Impregnated paper
  - 3 - Connection: Nylon
  - 4 - Seals: NBR  
FPM

**Weight**  
 SAP 115 1: 0,410 Kg  
 SAP 115 2: 0,525 Kg

## Dimensions



**SAP 115 1 - Dimension**

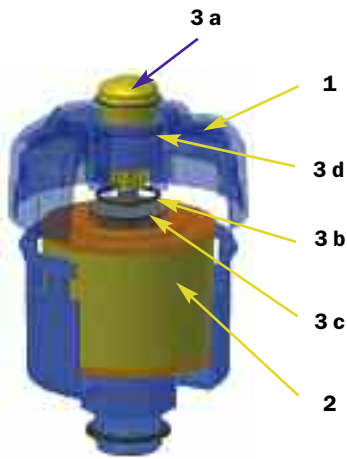
Connection	A	A/F	H1	H2	H3
A	G 1"	41	106	18	17
B	M33x2	41	106	18	17
C	G 1 1/2"	55	111	23	22

**SAP 115 2 - Dimension**

Connection	A	A/F	H1	H2	H3
A	G 1"	41	171	18	17
B	M33x2	41	171	18	17
C	G 1 1/2"	55	176	23	22

**Flow rate with Δp: 0,02 bar**

Connection	Filtration	l <sub>v</sub> /min	
		SAP 115 1	SAP 115 2
G 1" M33x2	L10	2170	2800
	A03	1830	2800
G 1 1/2"	L10	2330	3000
	A03	1995	3000



## TAP SAP 115 spare parts

Item.	Description	Q.ty	Filler cap series SAP 115	
1	Complete filler cap	1	See order table	
2	Filter Element	1	See order table	
3	Indicator kit	1	NBR 02005187	FPM 02005188
3a	Visual indicator	1	S62P01	
3b	Seal	1	O-R 3106 Ø 26,64 X 2,62	
3c	Indicator securing screw	1	01022670	
3d	O-R indicator	1	O-R 2112 Ø 28,3 x 1,78	

## Changing the filter element in SAP 115 series filler caps

- 1 Thoroughly clean the filler cap and adjacent parts.
- 2 Unscrew and raise the cover.
- 3 Replace the filter element.
- 4 Screw the cover.



## Ordering information

**Breather filter**  
**SAP115**  
**Example: SAP115**

1	2	3	4	5	6	7
2	A	A03	A	1	B	P01

**Filter element**  
**A115**  
**Example: A115**

1	3	7
2	A03	P01

### 1 - Length

1
2

### 2 - Connection

A	G 1"
B	M33x2
C	G 1 1/2"

### 3 - Filter element

A03	3 µm - Microfibre
L10	10 µm - Impregnated paper

### 4 - Seal

A	NBR
V	FPM

### 5 - Variants

0	Standard
1	With anti-splash feature

### 6 - Clogging indicator

A	Without
B	Visual indicator

### 7 - Options

P01	MP Filtri standard
-----	--------------------